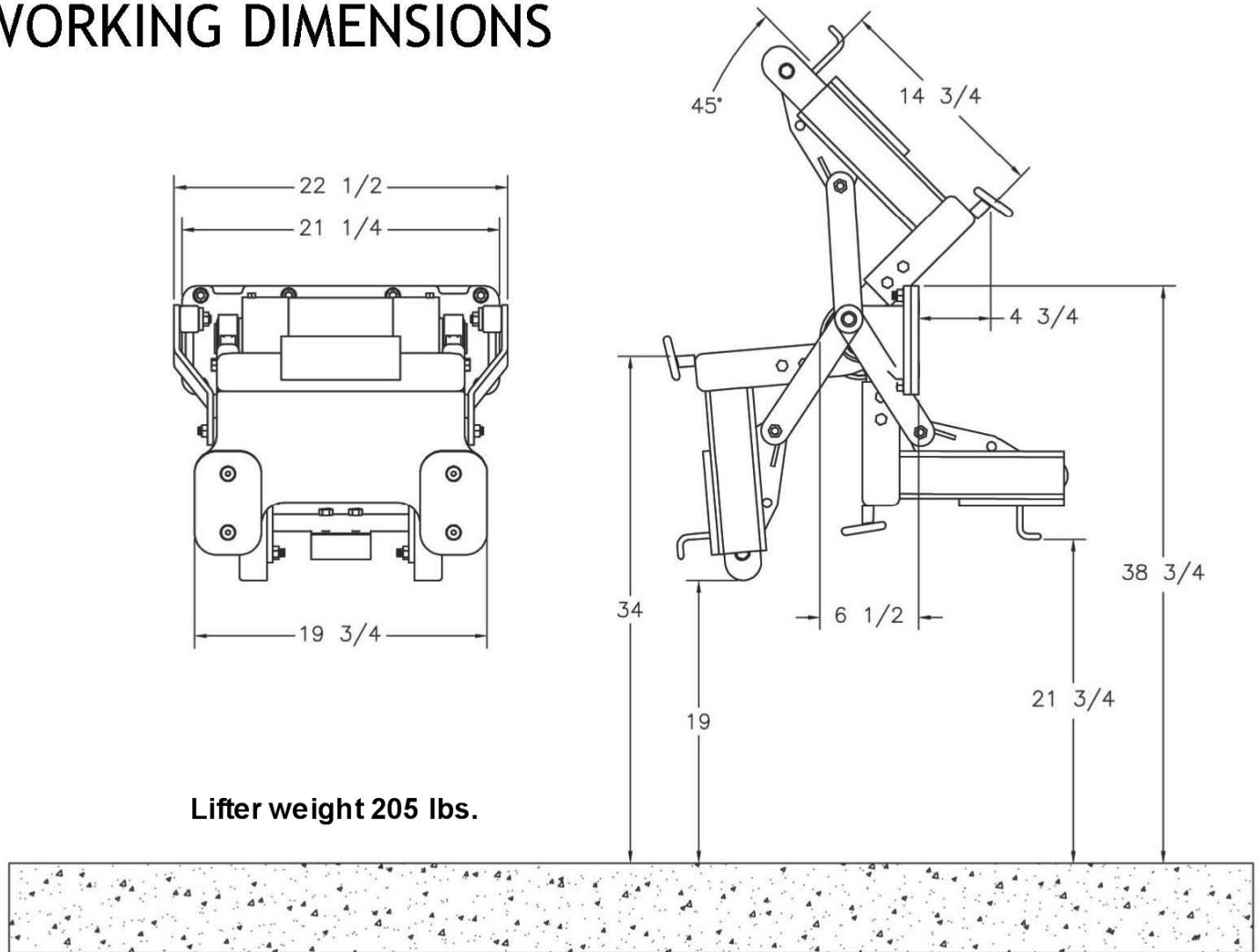


# WORKING DIMENSIONS



## MODEL SPECIFICATIONS:

***“The Boss”***

Cart Compatibility: American style (ANSI Type B) two-bar carts

Weight Capacity: 400 lbs @ 1600 PSI

Hydraulic Flow: 2.5 - 3.0 gpm (to achieve a 6-8 second cycle time)

Sill Height: Variable mounting from 38" up to 40"

Maintenance: Teflon-Coated bushings and slide requires no greasing

*Specifications are subject to change*

---

Q.C.Lifters Inc.  
PO Box 218  
Ogden, IL 61859

Manufacturing & Shipping  
TEL: (217) 582-2552 FAX: (217) 582-2746

Engineering, Sales & Service  
TEL: (217) 582-2471 FAX: (217) 582-2481

www.qclifters.com  
Email: qclifters@hotmail.com